

CARRETILLA HIDROSTÁTICA DTH
PERMANENT 4 WHEEL DRIVE



- Permanet 4 wheel drive
- Hydrostatic Automotive

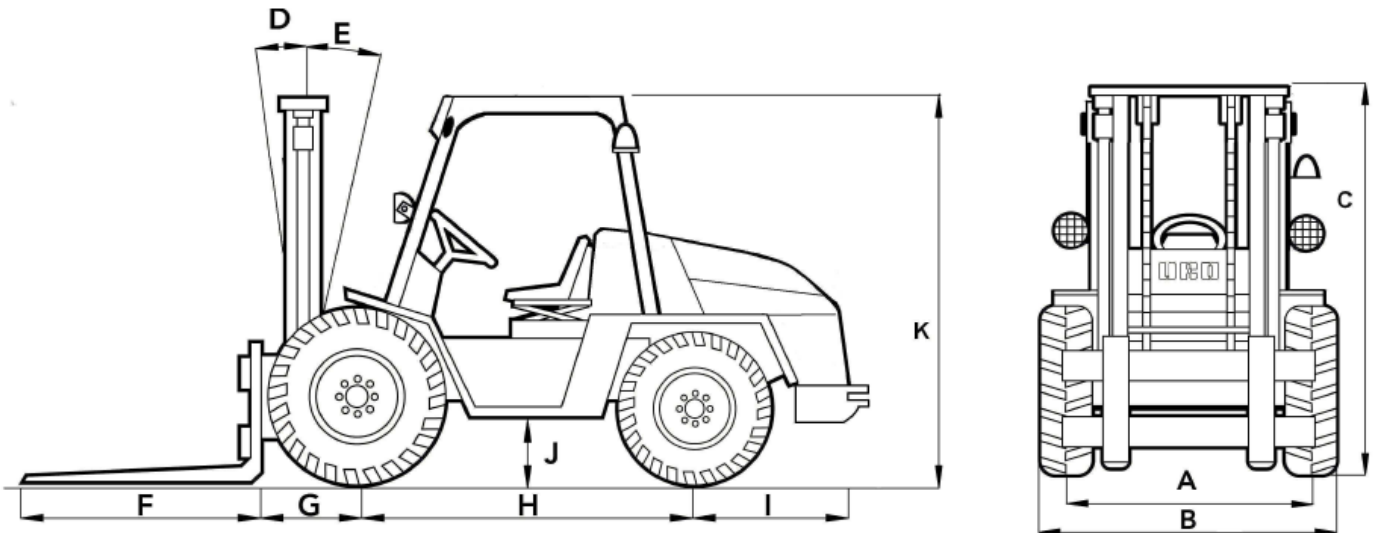
	DTH-2500
Load capacity	2500kg
Engine	
Mark	DEUTZ
Model	D2011L3i
Nº of cylinders	3
Rating	35,8kW / 49 cv
Cooling system	air / water
Transmission	Hydrostatic
Hydrostatic pump	HP Hydraulic
Hydrostatic engine	HP Hydraulic
	Torque distribution with lock
Service brake	Oil immersed discs
Tyres front	11,5 / 80 - 15,3
Tyres rear	10.0 / 75 -15,3
Unladen weight	3600kg
Standard mast	Triplex 3.60 free lift
Internal turning circle	1,7m
Externla turning circle	3,9m
Speed (Max.)	18 km/h
Gradient negotiable	38% earth / 50% asphalt

CARRETILLA DTH 2500

PERMANENT 4 WHEEL DRIVE



DIMENSIONS



A	1400 mm
B	1690 mm
C DUPLEX	2500 mm
C TRIPLEX 3,60	2050 mm
C TRIPLEX 4,50	2350 mm
D	6°
E	11°
F	1200 mm
G	600 mm
H	1860 mm
I	850 mm
J	300 mm
K	2050 mm

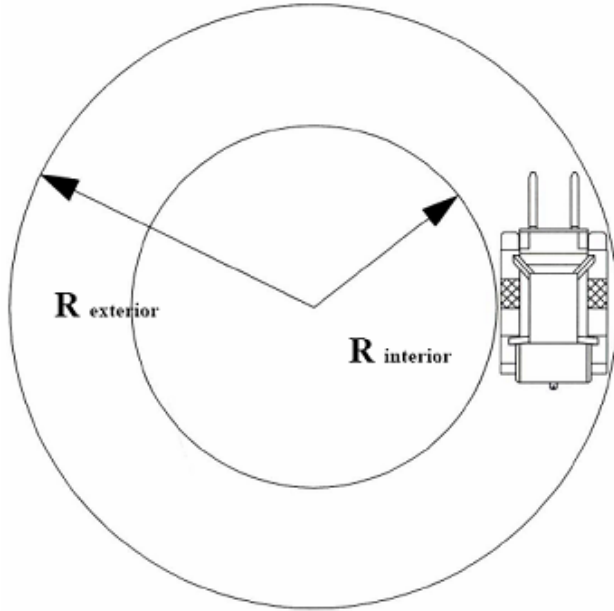


CARRETILLA DTH 2500

PERMANENT 4 WHEEL DRIVE

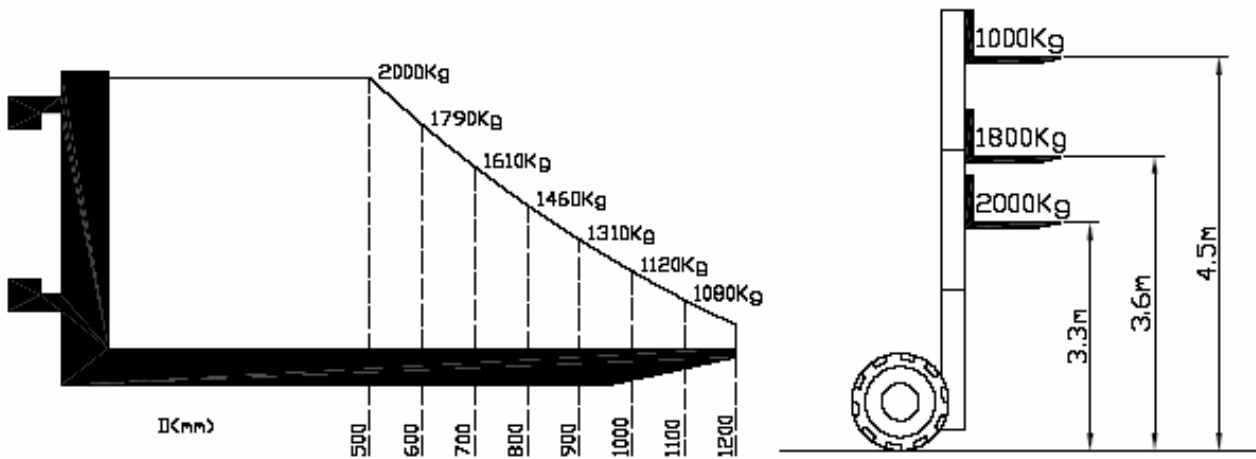


TURNING CIRCLE



External turning circle (m)	3.9
Internal turning circle (m)	1.7

LOAD CAPACITY



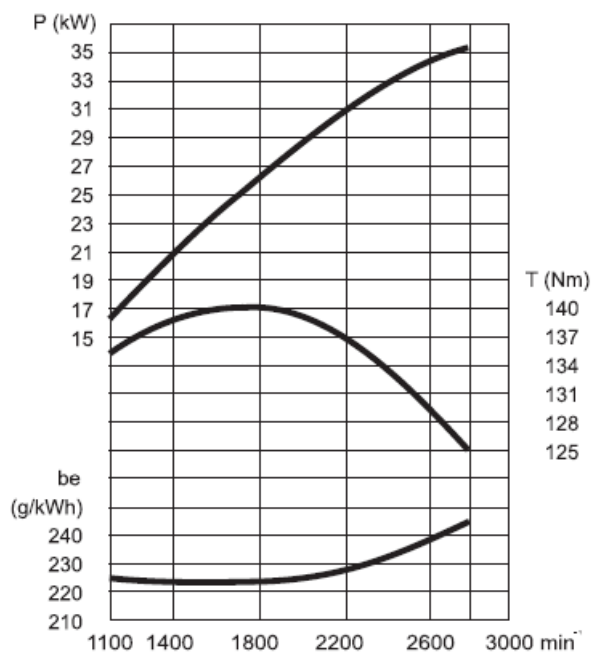
CARRETILLA DTH 2500

PERMANENT 4 WHEEL DRIVE



ENGINE

D2011L3i



Numer of cylinder		3
-------------------	--	---

Bore/stroke	mm	94/112
-------------	----	--------

Displacement	l	2.33
--------------	---	------

Compression ratio		18.5
-------------------	--	------

Max. rated speed	rpm	2800
------------------	-----	------

Mean piston speed	m/s	10.45
-------------------	-----	-------

Power ratings for construction equipment engines ⁴⁾

Power ratings for automotive- and industrial engines ²⁾	kW	35.8
at speed	rpm	2800

Mean effective pressure	bar	6.58
-------------------------	-----	------

Power ratings for cont. operation ³⁾	kW	34.0
at speed	rpm	2800

Mean effective pressure	bar	6.25
-------------------------	-----	------

Max. torque	Nm	137
at speed	rpm	1700

Minimum idle speed	rpm	900
--------------------	-----	-----

Specific fuel consumption ⁴⁾	g/kWh	218
---	-------	-----

Weight to DIN 70020, Part 7A ⁵⁾	kg	216
--	----	-----



CARRETILLA DTH 2500

PERMANENT 4 WHEEL DRIVE



HYDROSTATIC PUMP



HP Hydraulic



The M4PV series variable-displacement pumps are swashplate type.

Features:

- high rotation speed
- reduced dimensions
- fitting for multiple pumps
- easy servicing
- built-in relief valves
- control flexibility: manual, automotive, electric, hydraulic, and proportional electronic servocontrols are available.

The reliability, quality, and durability of HP HYDRAULIC products are guaranteed thanks to the use of CAD systems for calculation and design, and computerised test benches for testing and tuning.

TECHNICAL DATA

Displacement	cm ³	50
Boost-pump displacement	cm ³	13
Max. pump speed	min ⁻¹	3800
Min. pump speed	min ⁻¹	500
Pressure rating	bar	250
Peak pressure	bar	400
Boost-pump pressure	bar	15 ÷ 25
Max. housing pressure	bar	1,5
Max. oil continuous temperature	°C	80
ISO filtration class		18/16/13
Optimized oil viscosity	mm ² /s	15 ÷ 35
Weight (manual-control pump)	Kg.	20
Weight (servo-control pump)	Kg.	25
Inertial mass	N • m • s ²	49 x 10 ⁻⁴
Suction pressure bar absolute		>= 0.8
Cold starting pressure bar absolute		>= 0.5

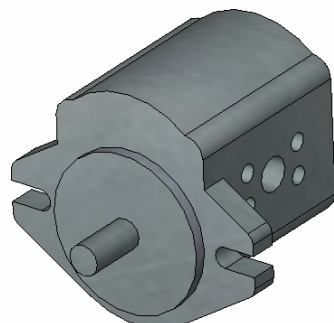


CARRETILLA DTH 2500

PERMANENT 4 WHEEL DRIVE

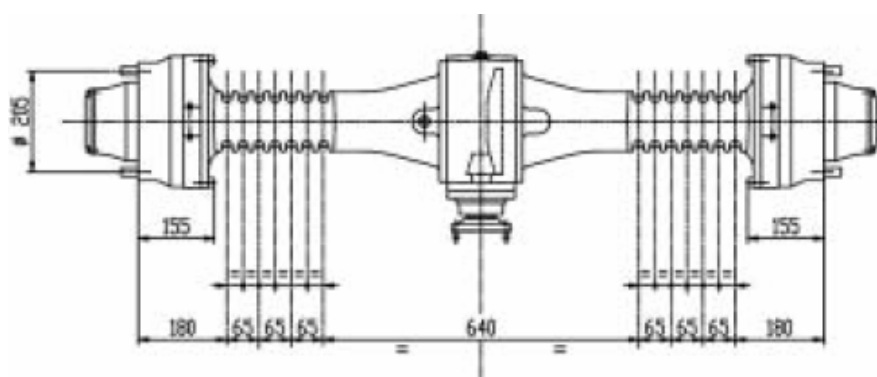


GEAR PUMP



Displacement	13,3 cc/rev
Max. pressure	200 bar
Peak pressure	250 bar
Min. rpm	650 rpm
Average rpm	2500 rpm
Max. rpm	3500 rpm

FRONT AXLE



Maximum estatic load (daN)	12000
Maximum dynamic load (daN)	6600
Maximum output torque (daN)	2100
Reduction ratio at differential	3,25:1
Reduction ratio at wheels	4,8:1
Total reduction ratio	15,60:1
Track dimension	1390
Service brakes type	Oil immersed brake discs
Wheel braking torque (daNm)	610
Service brake acting pressure (bar)	40

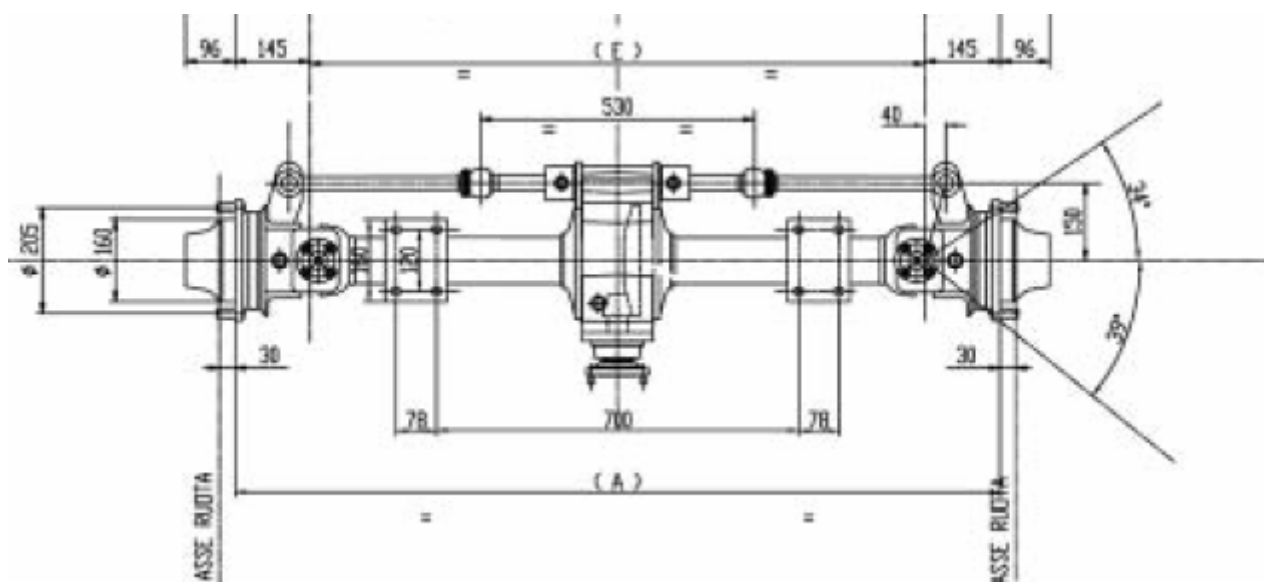


CARRETILLA DTH 2500

PERMANENT 4 WHEEL DRIVE



REAR AXLE



Maximum estatic load (daN)	6600
Maximum dynamic load (daN)	3600
Maximum output torque (daN)	850
Reduction ratio at differential	3,25:1
Reduction ratio at wheels	4,3077:1
Total reduction ratio	14,00:1
Track dimension	1356
Service brakes type	Discos en baño de aceite
Wheel braking torque (daNm)	180
Service brake acting pressure (bar)	40



C/ Arnao, 15 - Polígono Industrial de Barres
 33794 - Castropol - Asturias
 España
 Tlf: 985 471 063
 Fax: 985 472 709
www.uromac.com