



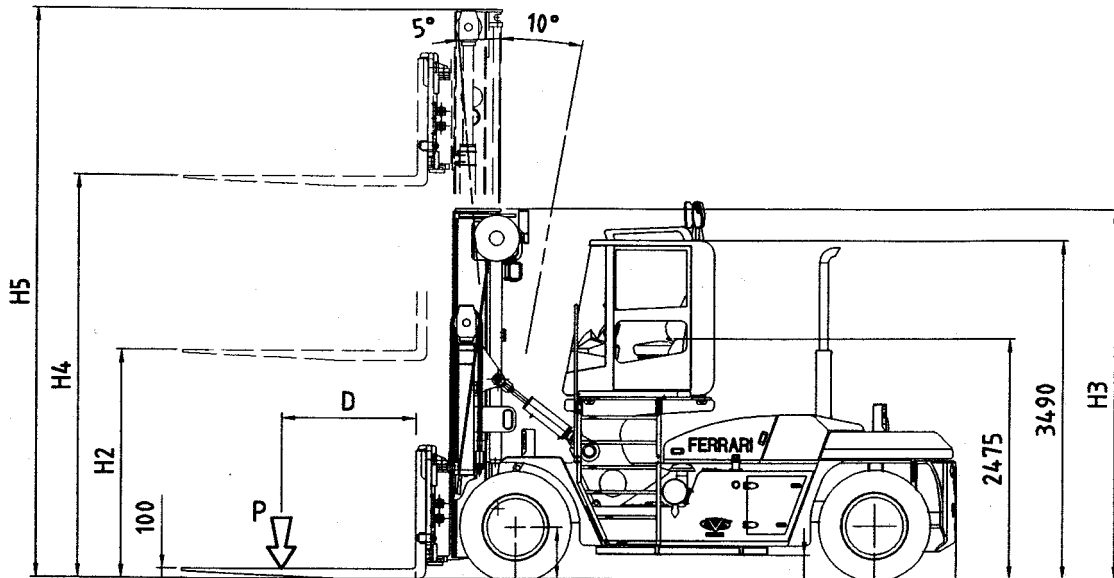
# Technical Information

## Fork Lift Trucks

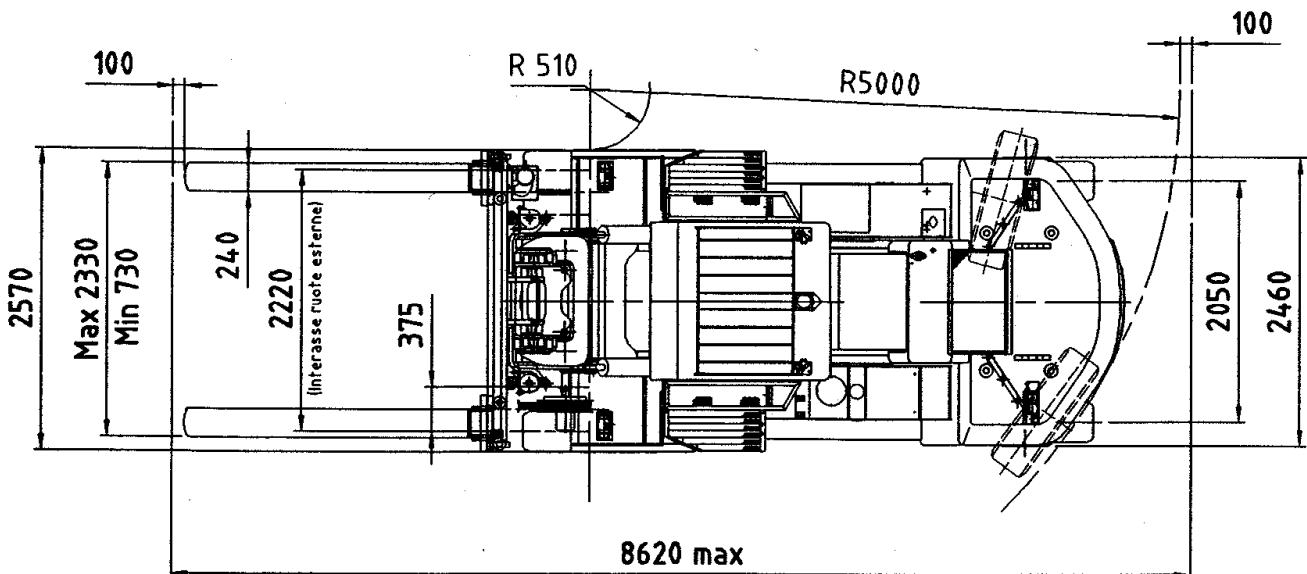
**CVS FERRARI**  
**F 16**

| SPECIFICATION              | CVS FERRARI                  |                                 |                     |                     |                  |
|----------------------------|------------------------------|---------------------------------|---------------------|---------------------|------------------|
|                            | <b>01 Manufacturer</b>       |                                 |                     |                     | <b>FERRARI</b>   |
| <b>02 Model</b>            |                              |                                 |                     | <b>FERRARI F 16</b> |                  |
| <b>03 Lifting capacity</b> |                              |                                 | Kg.                 | 16000               |                  |
| <b>04 Load Center</b>      |                              | L 4                             | mm.                 | 1200                |                  |
| <b>DIMENSIONS</b>          | <b>16 Overall dimensions</b> | Length without forks            | L                   | mm.                 | 5515             |
|                            | <b>17</b>                    | Width                           | B                   | mm.                 | 2570             |
|                            | <b>18</b>                    | Mast height, min.               | H 3                 | mm.                 | 3680             |
|                            | <b>19</b>                    | Mast height, max                | H 5                 | mm.                 | 5430             |
|                            | <b>20</b>                    | Height                          | H 6                 | mm.                 | 3490             |
|                            | <b>21</b>                    | Seat height                     | H 7                 | mm.                 | 2475             |
|                            | <b>DRIVING SYSTEM</b>        | <b>44 Engine</b>                | Manufacturer - Type |                     |                  |
| <b>45</b>                  |                              | Rating (SAEJ1995)               |                     | kW/(hp)             | 164 (223)        |
| <b>46</b>                  |                              | Rated Speed                     |                     | RPM                 | 2200             |
| <b>47</b>                  |                              | Peak Torque - at engine speed   |                     | Nm/min              | 945 / 1500       |
| <b>48</b>                  |                              | Number Cylinders - swept volume |                     | cm3                 | 6 - 6700 cm3     |
| <b>49</b>                  |                              | Compression Ratio               |                     |                     | 17.2:1           |
| <b>55 Clutch</b>           |                              | Clutch type                     |                     |                     | Torque converter |
|                            | <b>56 Hydraulic pressure</b> | For attachments                 |                     | Bar                 | 140              |
|                            | <b>57 Sound Level</b>        | Inside Cabine                   |                     |                     | EN 12053         |

## FERRARI F 16



\* The steps on the right hand side of the operator are optional



| <b>Description</b>         | <b>Duplex<br/>3500</b> | <b>Duplex<br/>5000</b> | <b>Duplex<br/>Full Free Lift</b> | <b>Triplex<br/>Full Free Lift</b> |
|----------------------------|------------------------|------------------------|----------------------------------|-----------------------------------|
| Lifting height mm (H4)     | 3500                   | 5000                   | 5000                             | 6000                              |
| Max overall height mm (H5) | 5430                   | 6930                   | 6685                             | 7830                              |
| Min overall height mm (H3) | 3680                   | 4430                   | 4185                             | 3830                              |
| Free Lift (H2)             | - -                    | - -                    | 2500                             | 2000                              |

( the masts listed in above chart are available as options )

## **CHASSIS**

All welded box type. Torsion resistant structure. Low center of gravity.

## **ENGINE**

CUMMINS QSB 6.7.

Euromot step 3. Lowest fuel consumption, and best performances.

## **TRANSMISSION**

ZF 3 WG 171

Electronically controlled with integrated torque converter.

3 Speeds Forward and 3 Speeds Reverse.

## **FRONT AXLE**

Extra wide front axle for maximum stability. Hub reduction.

Wet disc brakes. Oil cooling. Extra heavy duty type.

## **REAR AXLE**

Articulating axle with double acting single cylinder.

Full hydrostatic steering system (Orbitrol).

## **HYDRAULIC SYSTEM**

Powerful and reliable. Variable displacement piston pumps with load sensing distributor of the electronic control type to reduce fuel consumption and emissions. Multifunctional joystick to control mast and forks movements smoothly and efficiently.

## **ELECTRICAL SYSTEM**

The most reliable and easy to service. 24 V. - Two 12 V. batteries of low maintenance type. High performance alternator.

## **MAST**

High torsion. High quality steel. Free visibility. Heavy duty bearings. Lift cylinders hoses and chains located on the blind angles

The illustrations and data contained in this brochure are not binding. The manufacturer reserves the right to make changes for any reason while not altering the primary specifications



*Distributed & Serviced by:*