



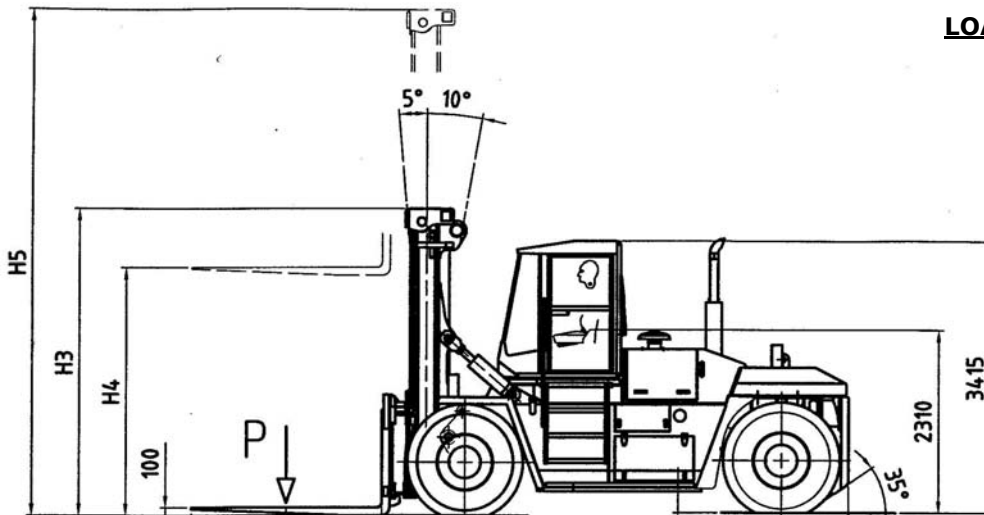
Technical Information

Fork Lift Trucks

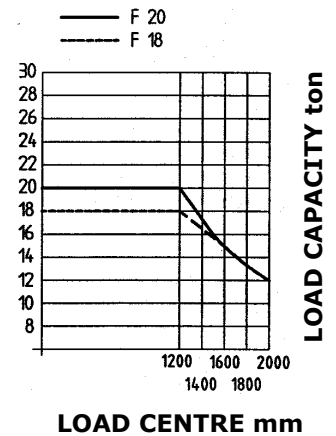
CVS FERRARI
F 18 - F 20 - F 25

SPECIFICATION	01 Manufacturer			CVS FERRARI	CVS FERRARI	CVS FERRARI				
	02 Model			F 18	F 20	F 25				
	03 Lifting capacity									
DIMENSIONS	04 Load Center			L 4	mm.	1200	1200	1200		
	16 Overall dimensions			Length without forks	L	mm.	5892	5892	6180	
	17			Width	B	mm.	3000	3000	3000	
	18			Mast height, min.	H 3	mm.	See table	See table	See table	
	19			Mast height, max	H 5	mm.	See table	See table	See table	
	20			Height	H 6	mm.	3415	3415	3415	
DRIVING SYSTEM	44 Engine			Manufacturer - Type			CUMMINS QSB 6.7			
	45			Rating (SAEJ1995)			kW/(hp)			164 (223)
	46			Rated Speed			RPM			2200
	47			Peak Torque - at engine speed			Nm/min			945 / 1500
	48			Number Cylinders - swept volume			cm3			6 - 6700 cm3
	49			Compression Ratio						17.2:1
	55 Clutch			Clutch type						Torque converter
56 Hydraulic pressure			For attachments			Bar			140	
57 Sound Level			Inside Cabine						EN 12053	

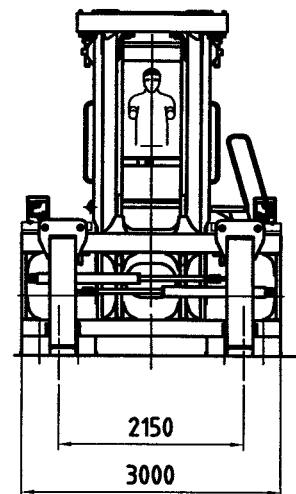
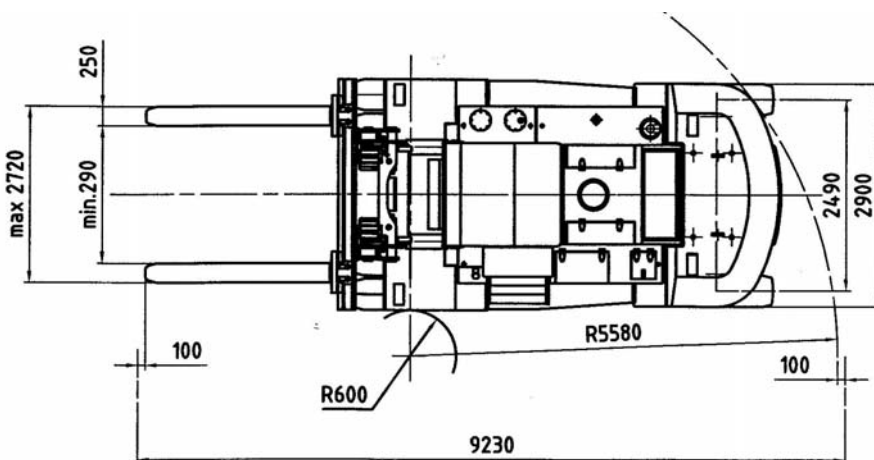
FERRARI F 18 - F 20



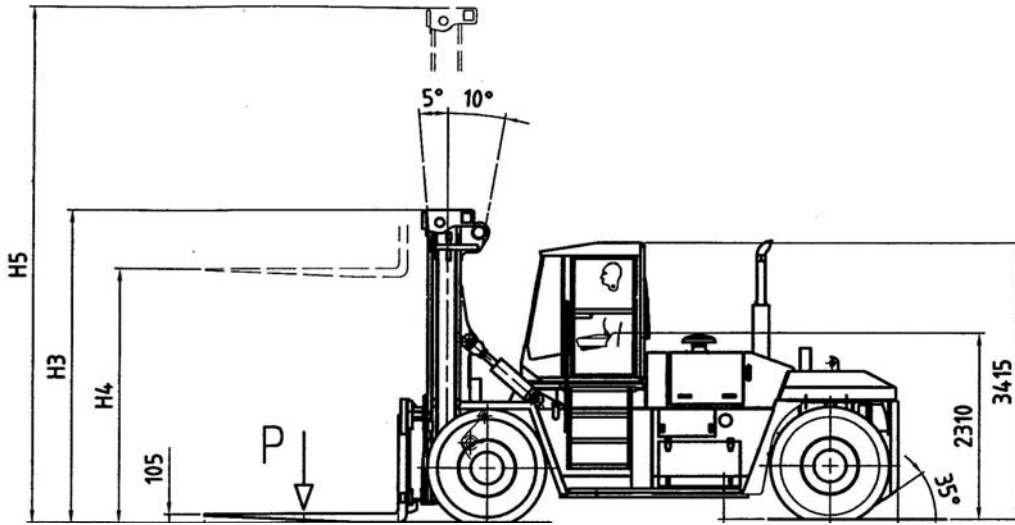
LOAD DIAGRAM - F 18 - F 20



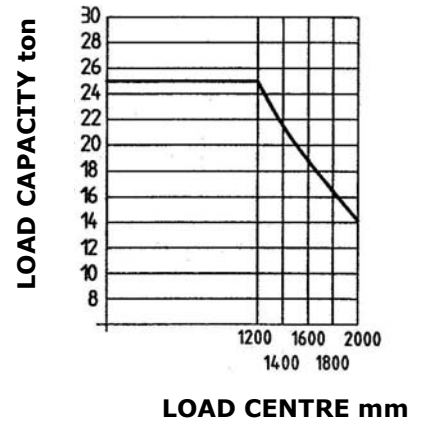
* The steps on the right hand side of the operator are option



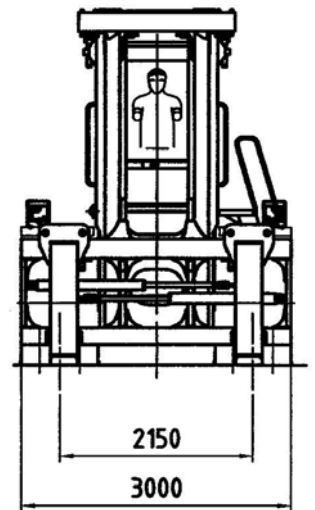
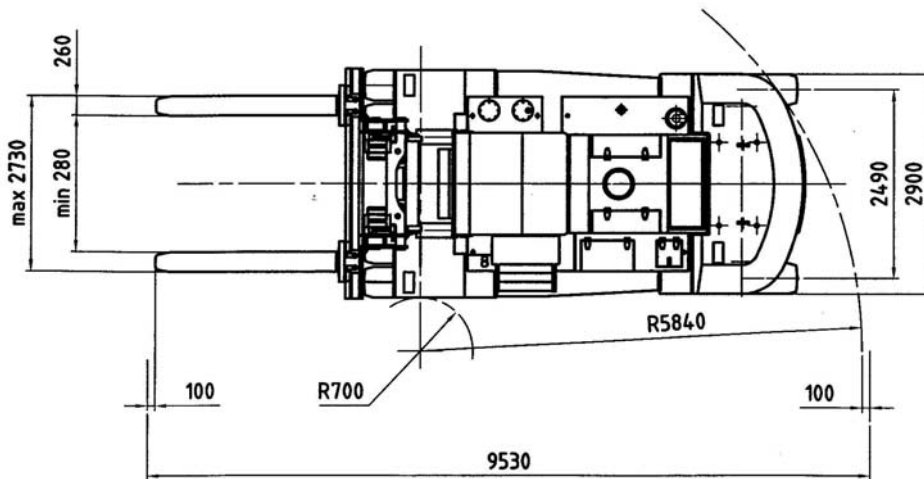
FERRARI F 25



LOAD DIAGRAM - F 25



* The steps on the right hand side of the operator are option



FERRARI F 18 – F 20 MAST TYPE

MAST TYPE		DUPLEX			DUPLEX F.F.L.		TRIPLEX F.F.L.
Lift Height	H4	4000	5000	7000	4000	6000	6000
Mast Height min.	H3	3850	4350	5350	3830	4820	3920
Mast Height max.	H5	5850	6850	8850	6030	8025	7920
Free Lift	H2	---	---	---	1700	2500	2000
Distance from front axle	L2	1052	1052	1052	1092	1092	1145
Aisle for 90° Stacking with 200mm safety margin	D1	9230	9230	9230	9280	9280	9330

FERRARI F 25 MAST TYPE

MAST TYPE		DUPLEX			DUPLEX F.F.L.		TRIPLEX F.F.L.
Lift Height	H4	4000	5000	7000	4000	6000	6000
Mast Height min.	H3	3850	4350	5350	3830	4820	3920
Mast Height max.	H5	5850	6850	8850	6030	8025	7920
Free Lift	H2	---	---	---	1700	2500	2000
Distance From Front Axle	L2	1090	1090	1090	1120	1120	1175
Aisle for 90° Stacking with 200mm safety margin	D1	9530	9530	9530	9620	9620	9620

CHASSIS

All welded box type. Torsion resistant structure. Low center of gravity.

ENGINE

CUMMINS QSB 6.7.
Euromot step 3. Lowest fuel consumption, and best performances.

TRANSMISSION

ZF 3 WG 191
Electronically controlled with integrated torque converter. 3 Speeds Forward and 3 Speeds Reverse.

FRONT AXLE

Extra wide front axle for maximum stability. Hub reduction. Wet disc brakes. Oil cooling. Extra heavy duty type.

REAR AXLE

Articulating axle with double acting single cylinder. Full hydrostatic steering system (Orbitrol).

HYDRAULIC SYSTEM

Powerful and reliable. Variable displacement piston pumps with load sensing distributor of the electronic control type to reduce fuel consumption and emissions. Electrical mini-levers to control mast and forks movements smoothly and efficiently.

ELECTRICAL SYSTEM

The most reliable and easy to service. 24 V. - Two 12 V. batteries of low maintenance type. High performance alternator.

MAST

High torsion. High quality steel. Free visibility. Heavy duty bearings. Lift cylinders hoses and chains located on the blind angles

The illustrations and data contained in this brochure are not binding. The manufacturer reserves the right to make changes for any reason while not altering the primary specifications



CVS FERRARI S.r.l. - Via Emilia - 29010 Roveleto di Cadeo (PC) ITALY
Tel. ++39.0523.503511 - Fax ++39.0523.500439
E-mail: info.mktg@cvsferrari.com

Distributed & Serviced by: