

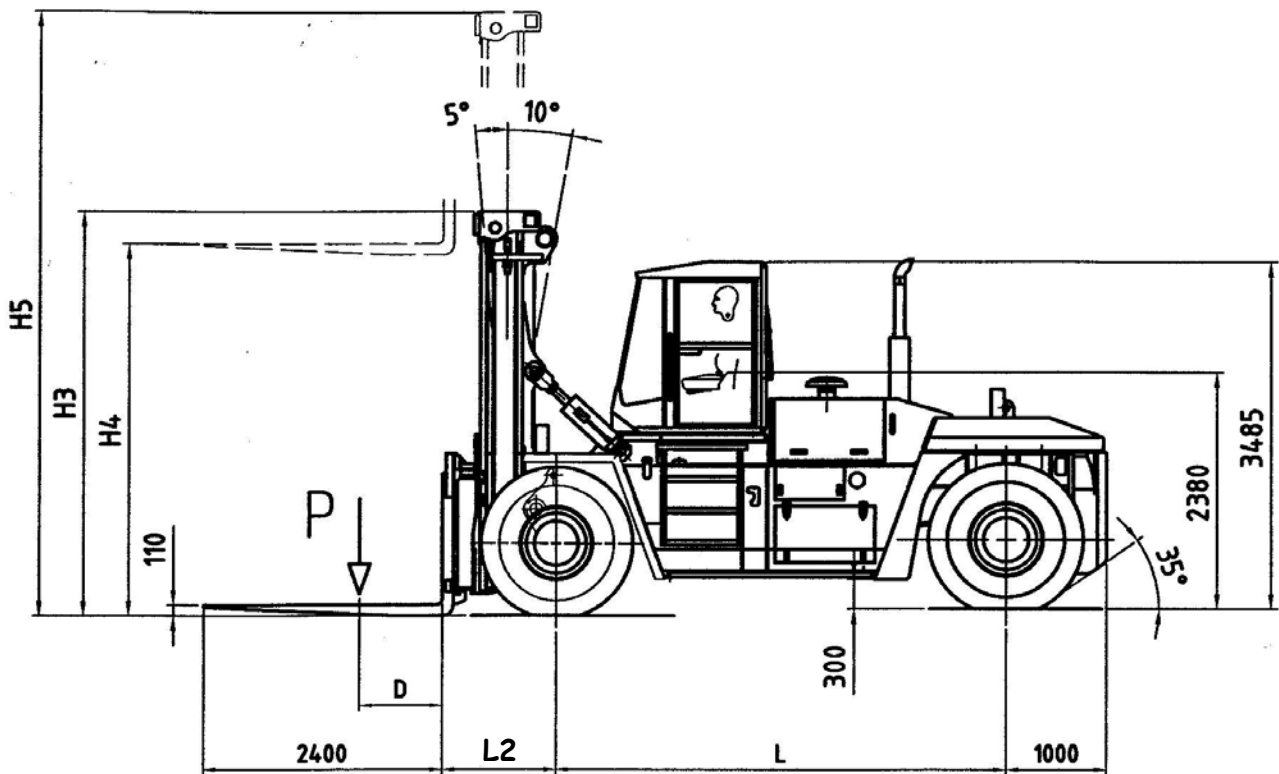


# Technical Information

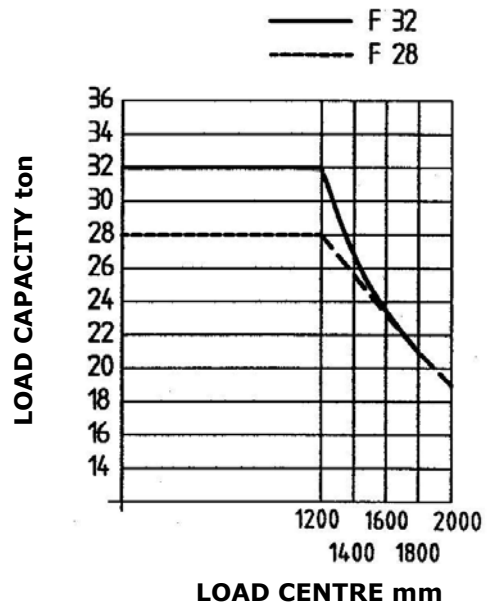
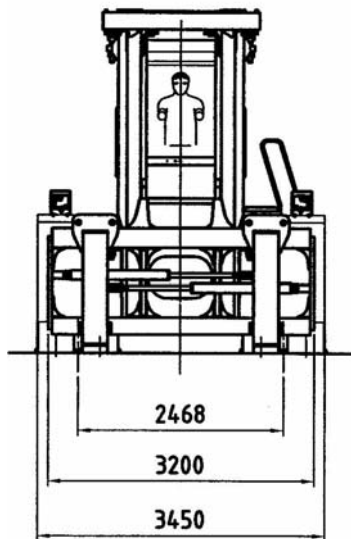
## Fork Lift Trucks

**CVS FERRARI**  
**F 28 - F 32**

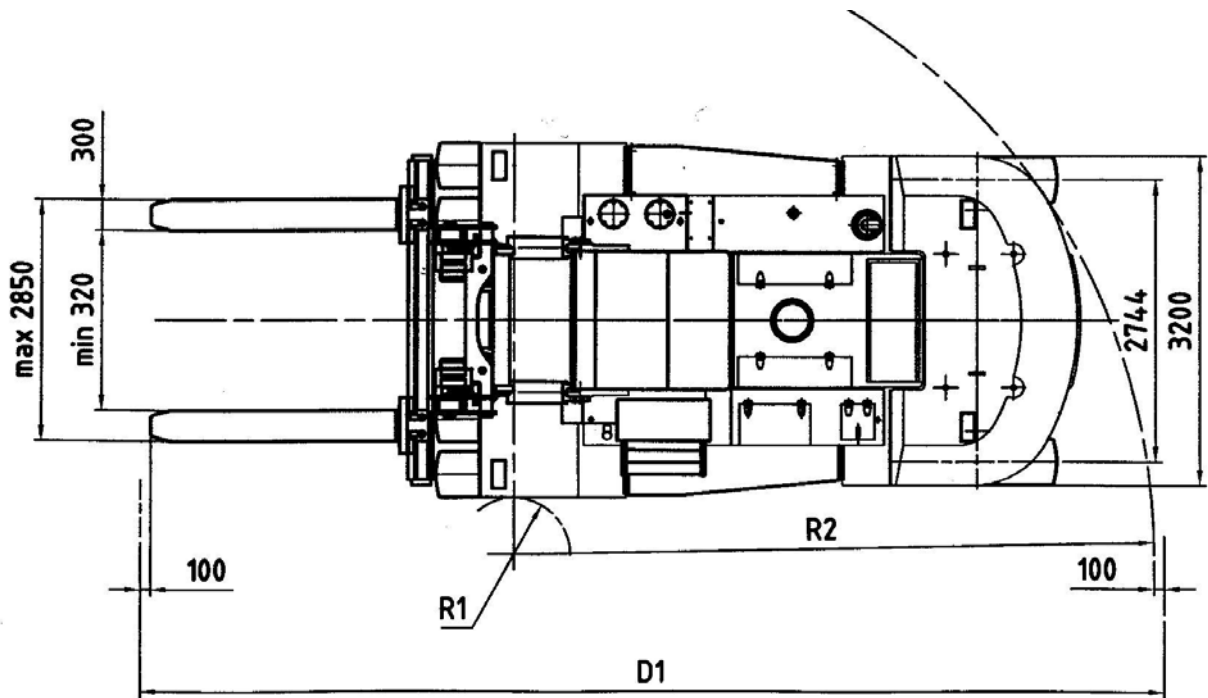
# FERRARI F 28 - F 32



**LOAD DIAGRAM - F 28 - F 32**



MAST TYPE		DUPLIX			DUPLIX F.F.L.		TRIPLEX F.F.L.	
		standard						
LIFT HEIGHT	H4	<b>4000</b>	5000	7000	4000	6000	6000	7000
MAST HEIGHT Min.	H3	<b>4050</b>	4550	5550	3960	5060	4000	4500
MAST HEIGHT Max.	H5	<b>6050</b>	7050	9050	6100	8160	8100	9500
FREE LIFT	H2	---	---	---	1700	2900	1800	2000
DISTANCE FROM FRONT AXLE	L2	<b>1165</b>	1165	1165	1185	1185	1195	1195



#### CHASSIS

All welded box type. Torsion resistant structure. Low centre of gravity.

#### ENGINE

CUMMINS QSB 6.7.

Euromot step 3. Lowest fuel consumption, and best performances.

#### TRANSMISSION

ZF 3 WG 191

Electronically controlled with integrated torque converter. 3 Speeds Forward and 3 Speeds Reverse.

#### FRONT AXLE

Extra wide front axle for maximum stability. Hub reduction. Wet disc brakes. Oil cooling. Extra heavy duty type.

#### REAR AXLE

Articulating axle with double acting single cylinder. Full hydrostatic steering system (Orbitrol).

#### HYDRAULIC SYSTEM

Powerful and reliable. Variable displacement piston pumps with load-sensing distributor of the electronic control type to reduce fuel consumption and emissions.

#### ELECTRICAL SYSTEM

The most reliable and easy to service. 24 V. - Two 12 V. batteries of low maintenance type. High performance alternator. Electrical mini-levers to control mast and forks movements smoothly and efficiently.

#### MAST

High torsion. High quality steel. Free visibility. Heavy duty bearings. Lift cylinders hoses and chains located on the blind angles

The illustrations and data contained in this brochure are not binding. The manufacturer reserves the right to make changes for any reason while not altering the primary specifications



*Distributed & Serviced by:*