



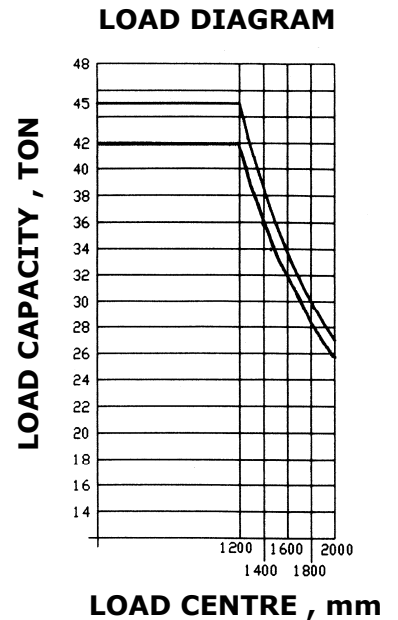
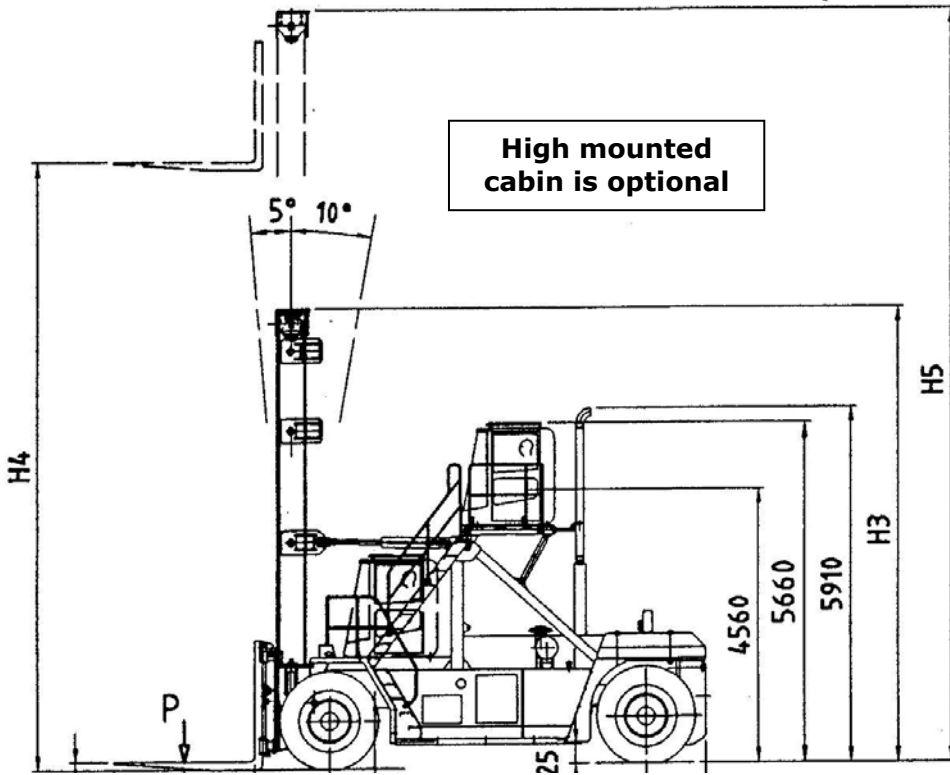
## Technical Information

### Fork Lift Trucks

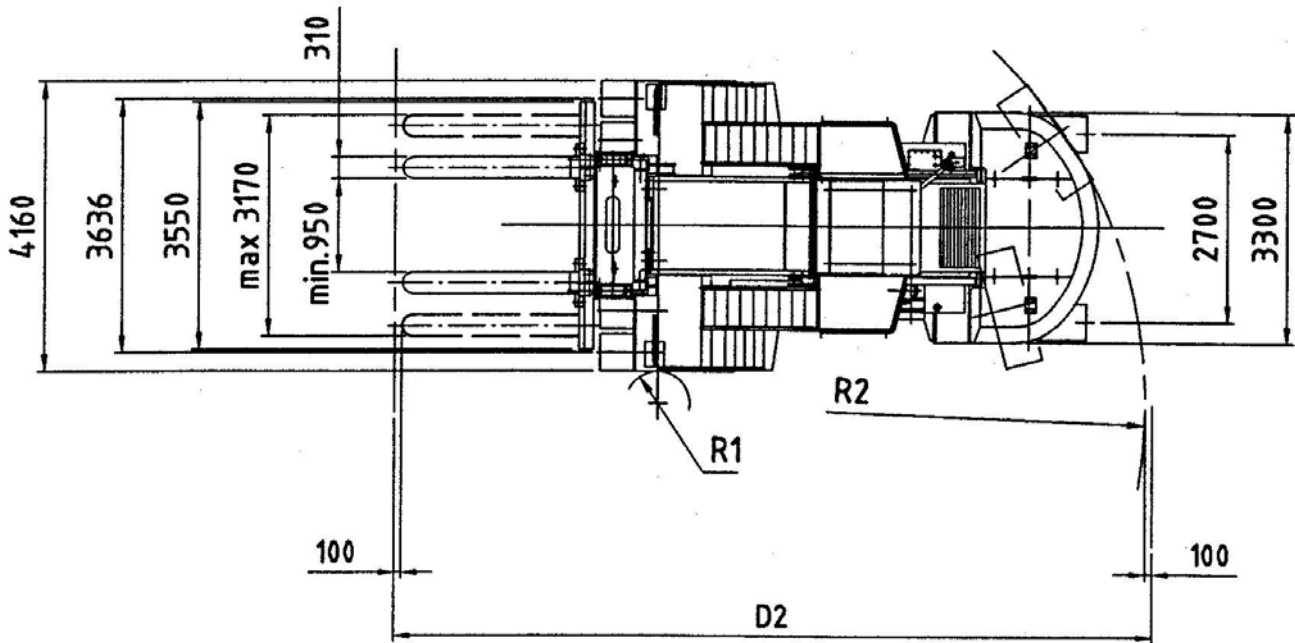
**CVS FERRARI**

**F 42 – F 45**

SPECIFICATION	01 Manufacturer				CVS FERRARI	CVS FERRARI
DIMENSIONS	02 Model				<b>F 42</b>	<b>F 45</b>
	03 Lifting capacity			Kg.	42000	45000
	04 Load Centre			mm.	1200	1200
	15 Overall dimensions	Length without forks		mm.	7605	8105
	16	Width		mm.	4160	4160
	17	Mast height, min.	H 3	mm.	5200	5200
	18	Mast height, max	H 5	mm.	7700	7700
	19	Height		mm.	3800	3800
	20	Seat height		mm.	2400	2400
	DRIVING SYSTEM	43 Engine	Manufacturer - Type			CUMMINS QSM11
44		Rating		kW/(hp)	246 (330)	
45		Rated Speed		RPM	1400 - 2100	
46		Peak Torque - at engine speed		Nm/min	1674 / 1400	
47		Number Cylinders - swept volume		cm3	6/10820	
48		Compression Ratio			18:1	
54 Clutch		Clutch type			Torque converter	
	55 Hydraulic pressure	For attachments		Bar	140	
	56 Sound Level	Inside Cabine		dB(A)	EN 12053	



\* The steps on the right hand side of the operator are option



#### CHASSIS

All welded box type. Torsion resistant structure. Low center of gravity.

#### ENGINE

CUMMINS QSM11.

Euro mot step 3. Best performances and lowest fuel consumption. Low polluting level.

#### TRANSMISSION

CLARK 36000.

Integrated torque converter and power shift - 4 Speeds forward and 4 speeds reverse

#### FRONT AXLE

Extra wide front axle for maximum stability. Hub reduction. Wet disc brakes. Oil cooling. Extra heavy duty type.

#### REAR AXLE

Articulating axle with double acting single cylinder. Full hydrostatic steering system (Orbitrol).

#### HYDRAULIC SYSTEM

Powerful. Reliable. 2 variable displacement pumps with load sensing system controlling: lifting, tilting, steering, forks positioning and side shifting. Joy stick for mast and forks' control.

#### ELECTRICAL SYSTEM

The most reliable and easy to service. 24 V. - Two 12 V. batteries of low maintenance type. High performance alternator. Electric/electronic control of the machine based on CAN BUS technology.

#### MAST

High torsion. High quality steel. Free visibility. Heavy duty bearings. Lift cylinders hoses and chains located on the blind angles.

The illustrations and data contained in this brochure are not binding. The manufacturer reserves the right to make changes for any reason while not altering the primary specifications



*Distributed & Serviced by:*