



Technical Information

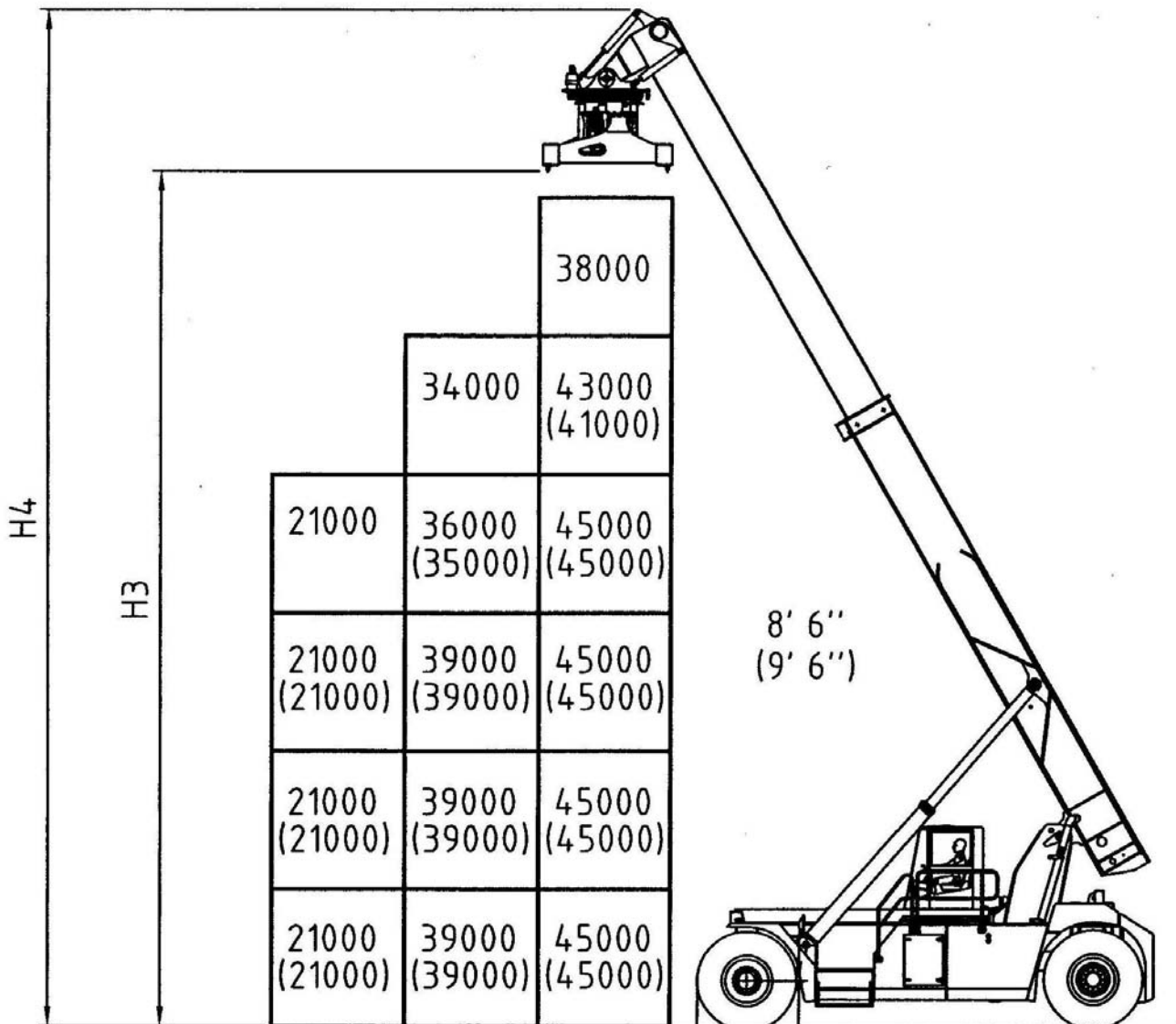
Reach Stackers

**CVS FERRARI
F 479**

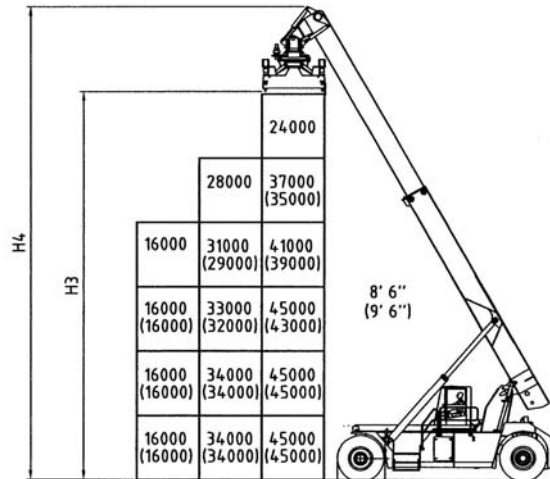
SPECIFICATION	01 Manufacturer				CVS FERRARI	CVS FERRARI	
	02 Model				F 479	F 479 PB	
	03 Lifting capacity	First Row/Second Row		Kg.	45000/39000	45000/34000	
	03 Lifting capacity	under spreader + Piggy Back		Kg.	45000	45000	
	04 Load Center	First Row/Second Row	L1/L2	mm.	1780/3850	1780/3850	
	DIMENSIONS	15 Overall dimensions	Length without boom		mm.	8560	8560
			Length with spreader	L	mm	11990	12015
		16	Width	B	mm.	4184	4184
		17	Boom height, Min.	H1	mm.	4910	4910
		18	Boom height, Max	H4	mm.	19130	19200
19		Height - Top of Cab	H5	mm.	3884	3884	
20		Seat height	H	mm.	2780	2780	
DRIVING SYSTEM		40 Engine	Manufacturer - Type			CUMMINS QSM11	
	41	Rating - DIN 6271		kW/(hp)	250 (335)	250 (335)	
	42	Rated Speed		RPM	2100	2100	
	43	Peak Torque - at engine speed		Nm/RPM	1674 / 1000	1674 / 1000	
	44	Number Cylinders - swept volume		cm3	6 / 10800	6 / 10800	
	45	Compression Ratio			16.3:1	16.3:1	
	51 Clutch	Clutch type			Torque converter		
	52 Hydraulic pressure	For attachments		Bar	140	140	
53 Sound Level	Inside Cabine - According to			EN 12053	EN 12053		

* Booster option

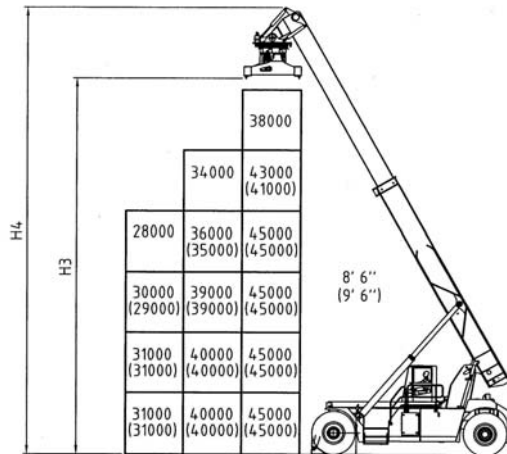
Ferrari mod. F 479



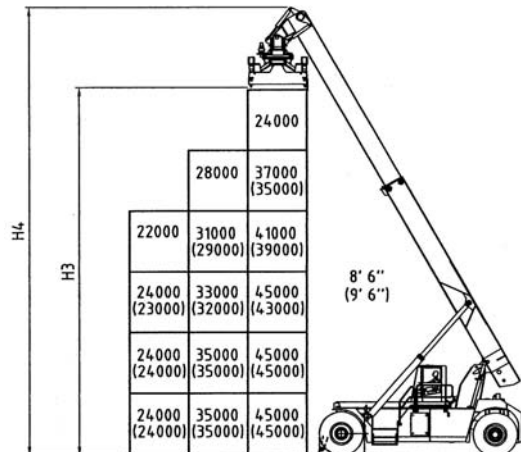
Ferrari mod. F 479PB (with Piggy Back)

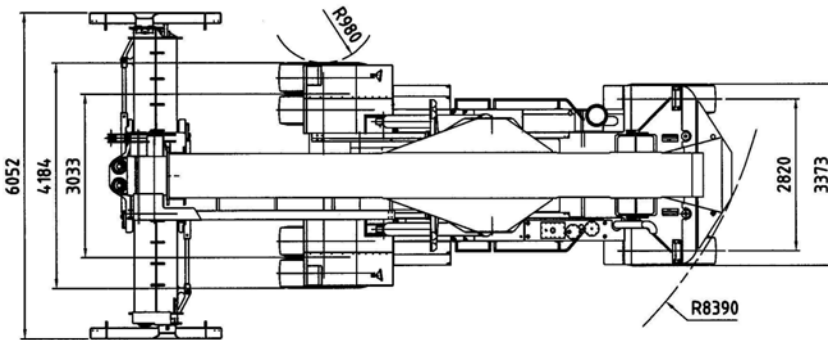
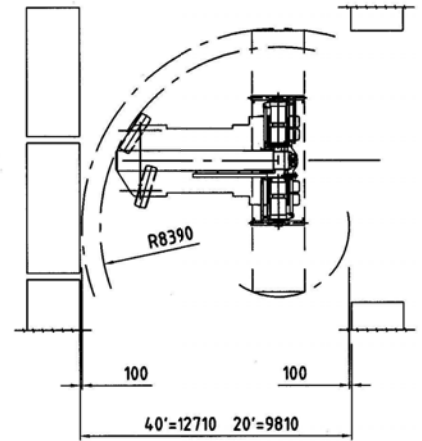
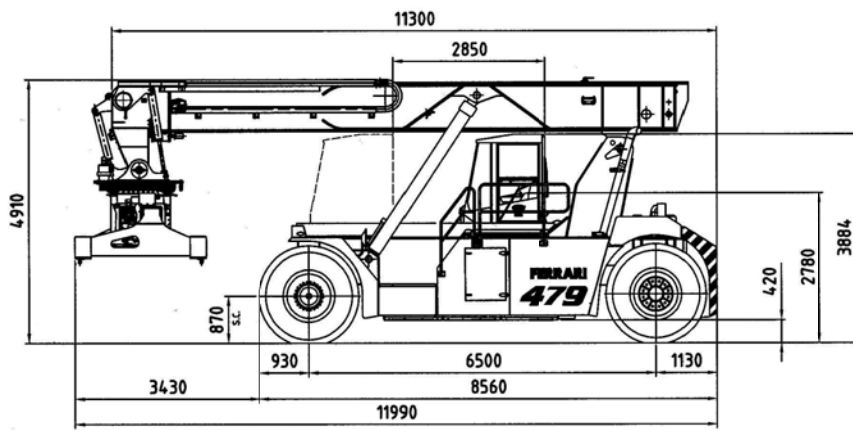


Ferrari mod. F 479 S (with stabilizers down)



Ferrari mod. F 479 PBS (with Piggy Back and stabilizers down)





CHASSIS

All welded box type. Torsion resistant structure. Low center of gravity.

ENGINE

CUMMINS QSM11.
Euromot step 3. Best performances and lowest fuel consumption. Low polluting level.

TRANSMISSION

CLARK TE 32 - Integrated torque converter and power shift - 4 Speeds forward and 4 speeds reverse.

FRONT AXLE

Extra wide front axle for maximum stability. Hub reduction. Wet disc brake. Oil cooling. Extra heavy duty type.

REAR AXLE

Articulating axle with double acting single cylinder. Rubber shock absorbers. Full hydrostatic steering system (Orbitrol) with priority valve.

HYDRAULIC SYSTEM

Variable displacement pumps. Load sensing proportional distributor controlling telescoping and lifting. Anti-saturation LUDV system. Electrical multifunctional joystick. Oil cooling system.

ELECTRICAL SYSTEM

Modular system with diagnostic capability. Reliable and easy to service. 24V. - Two 12V. batteries of low maintenance type. Electric/electronic control of the machine based on CAN BUS technology.

BOOM

High torsion - High quality steel. One basic outer section and one inner telescopic section.

SPREADER:

Highest strength steel. Compact and precise. Telescoping from 20' to 40'. All functions controlled from cab. Side mechanical tilting. Damping cylinders. Safety sensors on four corners.

The illustrations and data contained in this brochure are not binding. The manufacturer reserves the right to make changes for any reason while not altering the primary specifications



Distributed & Serviced by: