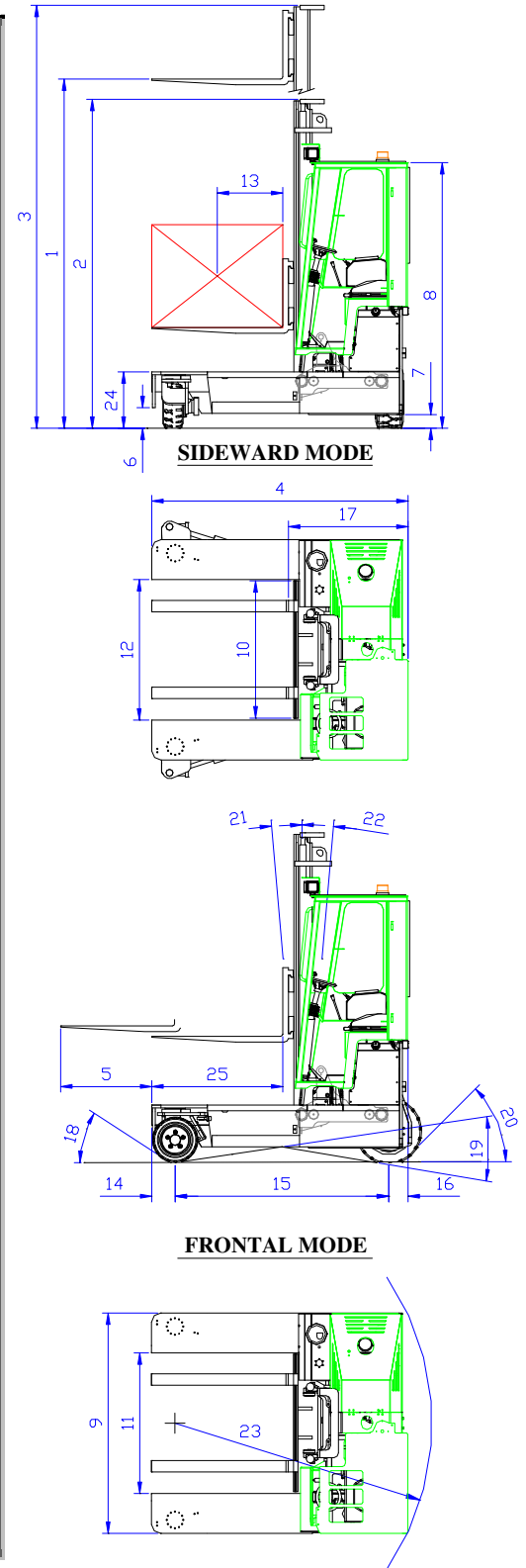


COMBILIFT – MODEL C3000 -SPECIFICATION-

Ref.	Description	Standard
1a	Max. Lift Height	4040mm
1b	Freelift Height	0mm
2	Height Mast Closed	2655mm
3	Max. (Mast raised)	4760mm
4	Overall Length	2250mm
5	Mast Travel	1200mm
6	Ground Clearance Under Mast	150mm
7	Ground Clearance to Centre of Wheelbase	135mm
8	Height Over Cab (Without work - lights)	2345mm
9	Width	1930mm
10	Outside Spread of Fork Arms	1200mm
11	Track Front	1730mm
12	Frame Opening	1230mm
13	Load Centre Distance	600mm
14	Overhang Front	205mm
15	Wheelbase	1878mm
16	Overhang Back	167mm
17	Length From Face of Fork	1100mm
18	Approach Angle	45°
19	Ramp Angle	17°
20	Departure Angle	45°
21	Forward Tilt	2°
22	Backward Tilt	4°
23	Minimum Outside Radius	2200mm
24	Platform Height	495mm
25	Platform Length	1150mm
A	Capacity	3000kg
B	Unladen Weight	4900kg
C	Maximum Ground Speed	14km/h
D	Gradability	10%
E	Kubota V1505- T Diesel/ 3ltr GM LPG	32kW / 48kW
F	Electrics	12 Volt
G	Fork Section	50mm x 150mm 1150mm
H	200/50 x 10 Front Tyre	OD 406mm / Width 178mm
I	23 x 10-12 Rear Tyre	OD 580mm / Width 240mm
J	Standard Colour	Green & Grey
K	Suspension Seat	KAB Model 211



Features include

- Rubber Mounted Cabin
- Load Sensing Steering
- 4-way lever positioning of Wheels
- Multi-Direction Operation
- 3 Wheel Hydrostatic Drive
- Hydraulic Oil Cooler

Revision date: 01/01/2009



COMBILIFT LTD.
Co. Monaghan.
Ireland
Tel. +353 47 80500