

Material Handling Solutions by
Omega Lift



ARM 
Telehandler

ARM Series

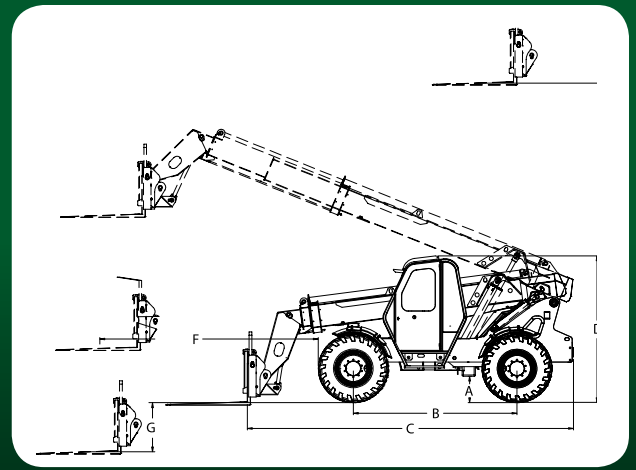


Omega Lift has been designing and manufacturing all-terrain lift trucks for a wide range of material handling applications for over 25 years enabling us to be at the forefront of lift truck design.

ARM Series

6,000 lbs – 10,000 lbs load capacity
36' – 55' lift height

This versatile telescopic handler can be used for many applications. A powerful powertrain, proportional hydraulic controls and a solid steel frame are just a few standard features. There are a wide variety of attachments also available for the **ARM Series**.



Call factory for capacities over 10,000 lbs

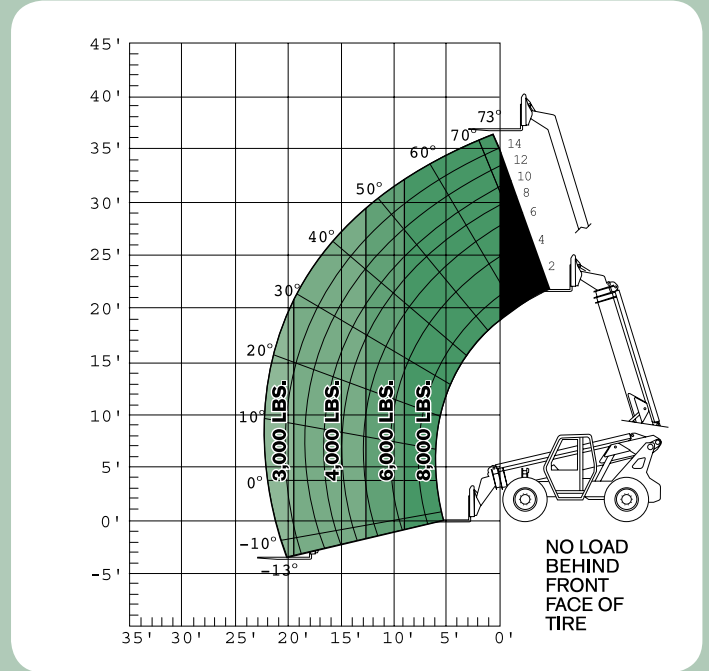
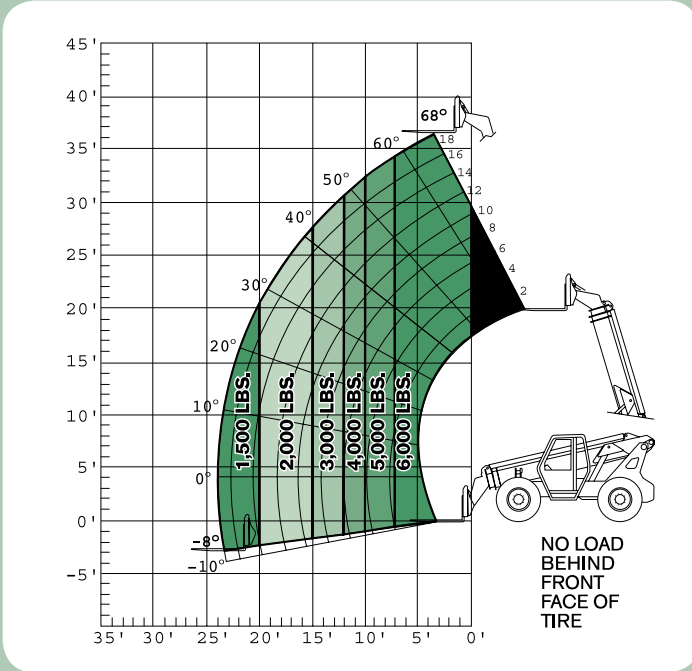
SPECIFICATION	Ref.	6T36-E	8T36-E	8T42-E	10T42-E	10T55-E
Capacity @ 24" load centre (lbs)		6,000	8,000	8,000	10,000	10,000
Engine: Manufacturer and Model		1104D-44 Natural Diesel	Perkins 1104D-44T Turbo Diesel			
Engine: Power @ 2400 rpm		64kW (86 HP)	74.5 kW (99 HP)			
Transmission		powershift—3 speed forward / 3 reverse				
Drive		planetary 4-wheel drive				
Steering		4-wheel steer				
Tire size		SGL D/L2A 13.0x24-12 ply	SGL D/L2A 14.0x24-12 ply			
Ground Clearance	A	19"				
Wheelbase	B	115"	121"	121"	121"	123"
Overall length to carriage	C	211"	241"	241"	241"	252"
Height to top of cab	D	112"				
Max. lift height	E	36'	36'	42'	42'	55'
Max. forward reach	F	288"	288"	366"	366"	509"
Max. vertical reach below grade	G	36"	42"	61"	61"	76"
Maximum boom angle		68°	73°	73°	73°	70°
Overall width (no outriggers)		98"	100"	100"	100"	100"
Overall width (with outriggers)		n/a	n/a	150"	150"	150"
Turning radius		161"	187"	187"	187"	190"
Travel speed		17 mph	22 mph	22 mph	22 mph	20 mph
Shipping weight (lbs)		20,500	24,050	27,400	28,600	31,200

Specifications subject to change without notice



ARM 6T36-E LOAD CHART** (lbs)

ARM 8T36-E LOAD CHART** (lbs)

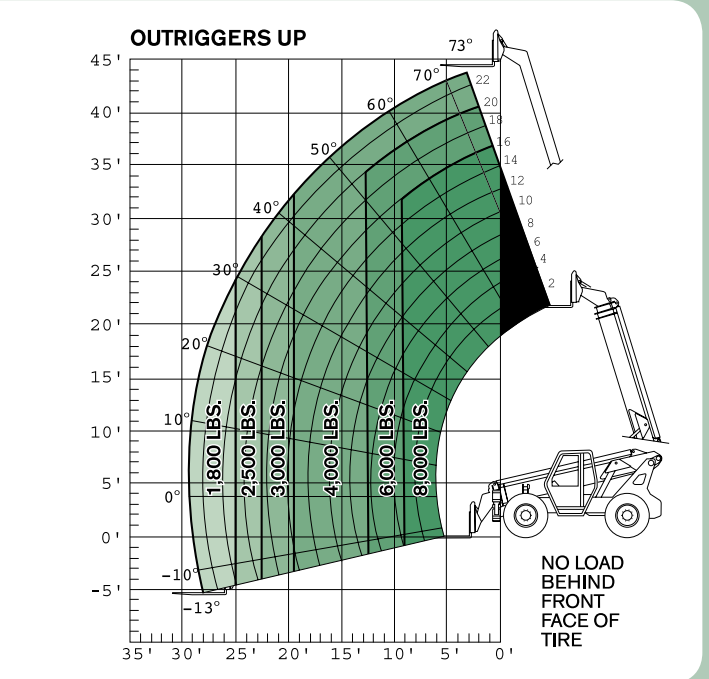
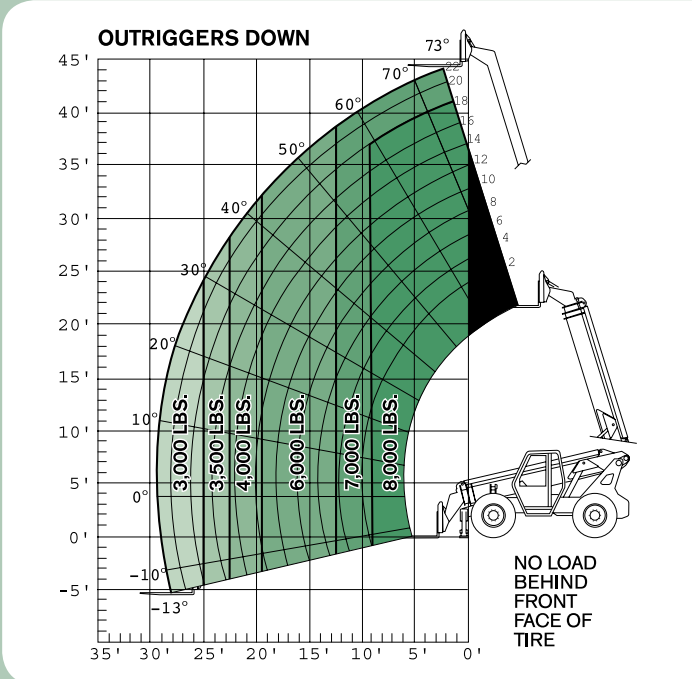


**** For all Load Charts:**

NOTE: The information herein is general in nature and is not intended for specific application purposes. For attachments consult factory for load rating; read boom angle and boom extension, then determine allowable load from chart; figures shown are stacking capacity with truck level on a firm surface and with properly inflated tires; do not exceed rated loads as dangerous and unstable machine conditions will result. Omega Lift reserves the right to make any changes in the specifications shown herein, and improvements, or discontinue manufacture at any time without notice or obligation. Units shown may be equipped with non-standard equipment. All machines are manufactured to meet or exceed ANSI/ITSDF B56.6 - 2005 Standards or Recommended Practices, where applicable.



ARM 8T42-E LOAD CHART** (lbs)

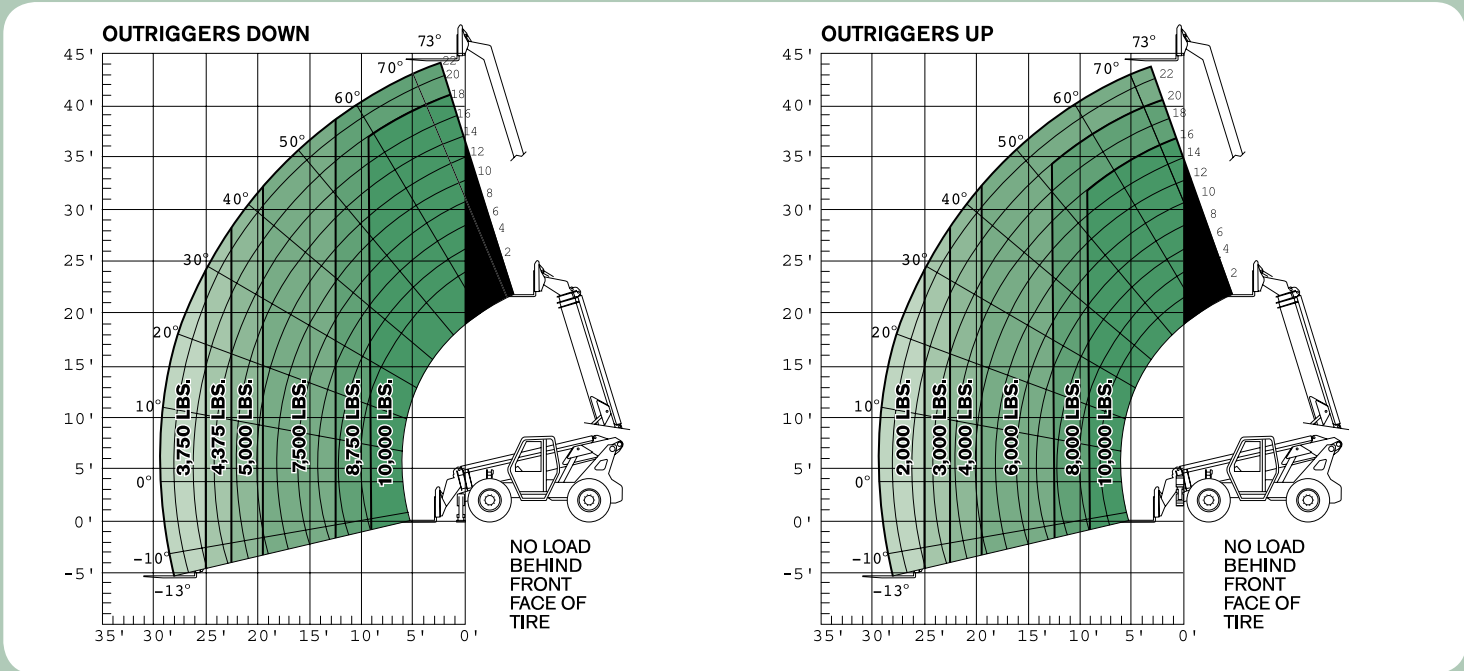


Specifications subject to change without notice

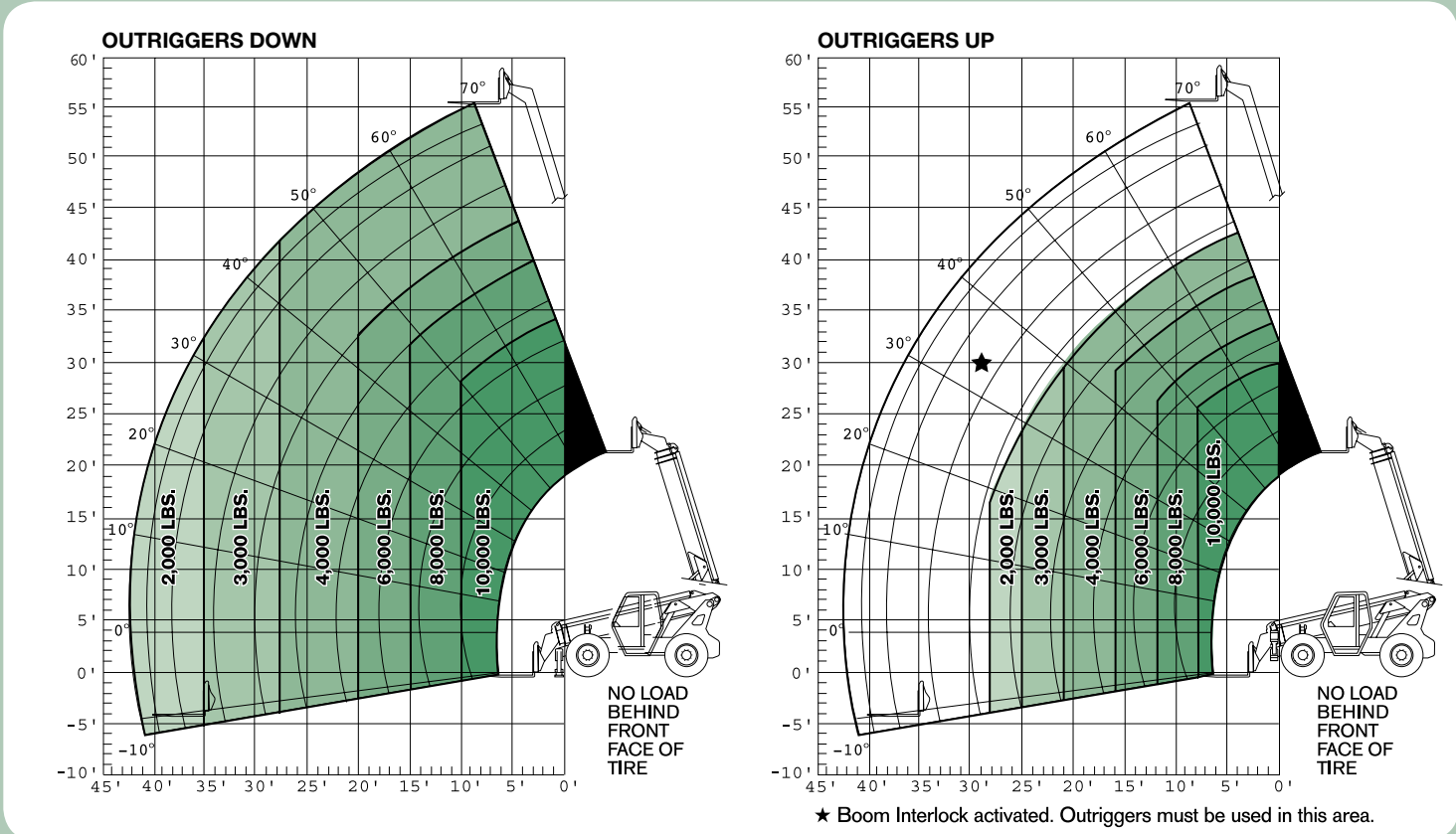
Courtesy of Crane.Market



ARM 10T42-E LOAD CHART (lbs)**



ARM 10T55-E LOAD CHART (lbs)**





STANDARD EQUIPMENT

Engine

- Perkins diesel engine
- Emissions compliant
- Glow Plugs

Transmission

- Power shift transmission—3 speeds forward / 3 reverse
- Electric column shifter with torque converter
- Transmission disconnect on park brake
- Transmission oil cooler

Axles/Brakes

- Planetary 4-wheel drive
- 3 steering modes (4-wheel, crab, 2-wheel)
- Enclosed, wet disc brakes
- Oscillating rear axle
- Hydraulic powered brakes with accumulator
- Internal spring applied hydraulic release park brake

Operator Compartment

- Open FOPS/ROPS
- Tilttable and telescopic steering column
- Rubber isolated cab mount
- Roof glass
- Joystick for all boom functions with safety switch

- low profile mechanical seat with lumbar adjustment and retractable seat belt
- Grab handles and cab step
- 2 speed fan
- Glove box

Instrumentation

- Full backlit gauge cluster including; fuel, water temperature, engine oil pressure, AMP meter.
- Indicator lights including; low battery, low oil pressure, high water temperature, high transmission oil temperature, glow plugs, park brake

Boom/Carriage

- Reinforced steel box boom design
- Replaceable GMS wear pads
- 3-Section boom (4-section on 10T55-E)
- Boom angle indicator
- Premium boom chain
- Sealed, hardened chain pulleys
- Quick-attach shaft carriage
- Shaft forks

Electrical

- 12 Volt negative ground system
- 970 CCA battery
- 65 Amp alternator
- Labeled fuse panel

Additional Features

- Outriggers (10T55-E)
- Solid steel frame construction
- Steel hydraulic and fuel tanks
- Over center lock valves on cylinders
- Frame levelling
- 4 axle-mounted fenders
- Lockable fuel, hydraulic, engine hood and battery compartment
- Front head light
- Rear flashers
- 2-stage air cleaner
- Horn and back-up alarm
- Tie down provisions

OPTIONAL EQUIPMENT

- Enclosed all weather cab
- Air conditioning
- Block heater with extension cord
- AM/FM/CD sound system
- Lighting package
- Mirror package
- Air suspension seat
- Windshield washer system
- Foam-filled tires
- Customizable carriages and forks
- Fork positioning
- Hydraulic winch
- Light material bucket
- Outriggers
- Pipe hold-down

1.905.857.6456 | www.omegalift.net

A MACHINE FOR EVERY APPLICATION

ANY JOB, ANY TIME ANYWHERE — no matter what the application, Omega Lift's line of machines are made for it. General construction, Building construction, Automotive recycling, Lumber mills and yards, Steel mills and yards, Mining facilities, Manufacturing and Warehousing facilities, Sod farms and nurseries, Rail yards, Military applications, our machines have you covered.

YOU PROVIDE THE JOB. WE'LL PROVIDE THE MACHINE.

Authorized Omega Lift Dealer

Printed in Canada. Reorder Code: ARMSB-I-7-11



ALPHA Series

2X Series

44236 Series

MEGA Series

HERC Series

UG Series

ARM Series

4DML Series

Omega Lift
87 Simpson Rd.
Bolton, Ontario
Canada L7E 3R6



Courtesy of Crane.Market